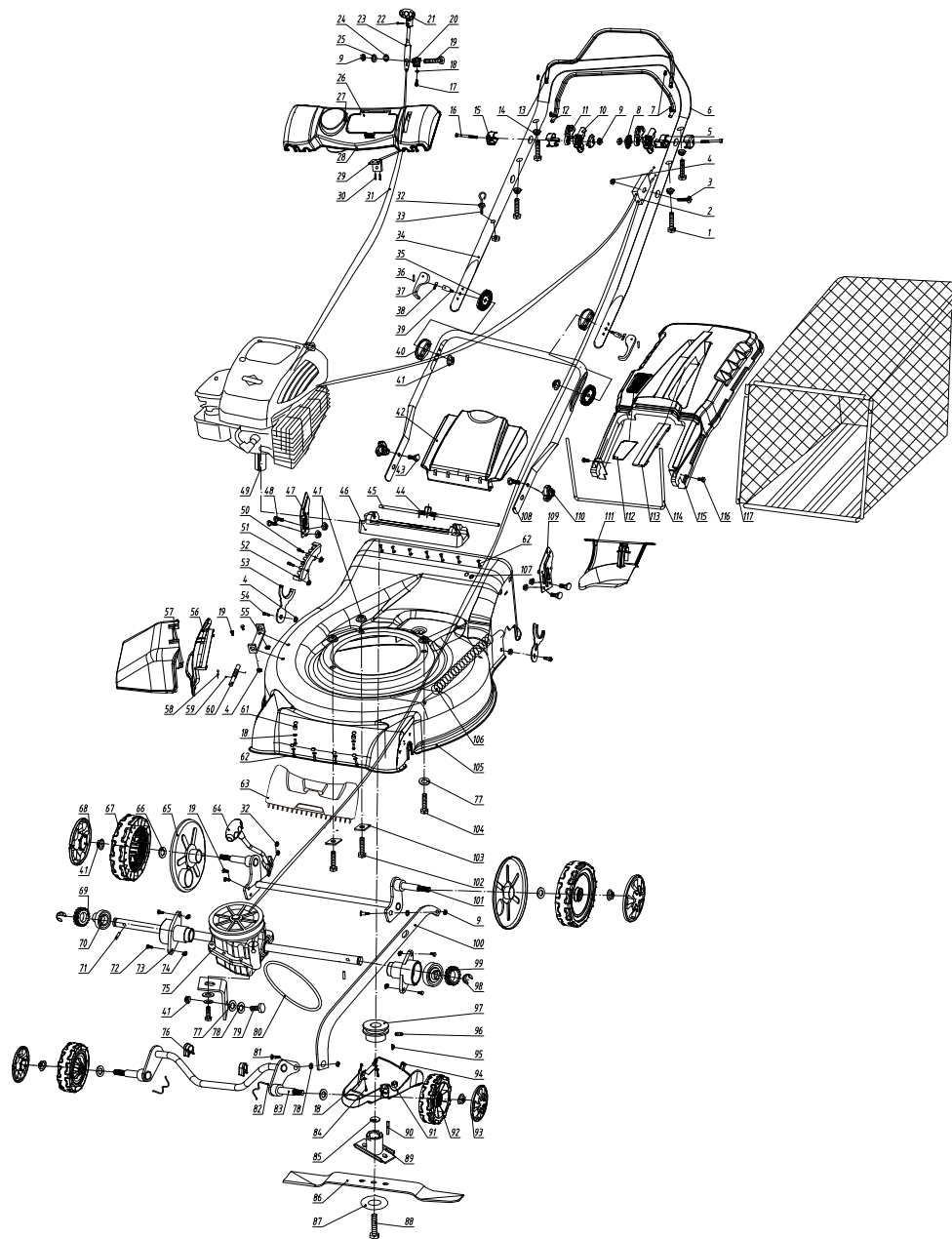


EXPLODED VIEW AND SPARE PARTS LIST



| | | | |
|-----|----------------------|-----------------------|----|
| 117 | 65400GK-000800A | Grass bag | 1 |
| 116 | 845-4Y2X9Y5-B-H-F | bolt ST4.2X9.5-B-H-F | 2 |
| 115 | 65400GK-000038 | Grass bag frame | 1 |
| 114 | 65400GK-001000-001 | Plate | 1 |
| 113 | 65400GK-000038-1 | Cover | 1 |
| 112 | 65400GK-000038-2 | Cover | 1 |
| 111 | 65319AK-000076-001 | Block | 1 |
| 110 | 65144B-000700-101 | Handle bar knob | 2 |
| 109 | 65170-000026A-001 | Left bracket | 1 |
| 108 | 65170-000033A-001 | Lower handle bar | 1 |
| 107 | 65400-000090 | cover | 1 |
| 106 | 65142AT-000023 | Connecting bar spring | 1 |
| 105 | 65170ABK-000400A-101 | Mower deck | 1 |
| 104 | 5783-8X4.5-W-3 | Bolt (M8X4.5) | 1 |
| 103 | 65246-000095 | Washer | 2 |
| 102 | 5783-8X4.0-W-3 | Bolt (M8X4.0) | 2 |
| 101 | 65170AB-002200B-001 | Rear shaft assembly | 1 |
| 100 | 65170AB-000301-001 | Connecting bar | 1 |
| 99 | 65112-001800 | left gear | 1 |
| 98 | 896-9-B | E rings 9 | 2 |
| 97 | 65115AT-000051 | Driving wheel | 1 |
| 96 | 80-6X8-B-3 | Bolt (M6X8) | 1 |
| 95 | 1099-4X6Y5X16 | Woodruff key | 1 |
| 94 | 65170A-000050 | Belt protect cover | 1 |
| 93 | 65170A-000016-011 | 7 inch wheel hub cap | 2 |
| 92 | 65170A-002300 | 7 inch wheel | 2 |
| 91 | 65606A-000050-2 | Washer | 1 |
| 90 | 65100-000009 | Crankshaft key | 1 |
| 89 | 65115ALH-000042 | Blade mounting boss | 1 |
| 88 | 65100-000003 | Bolt 3/8"-24UNF | 1 |
| 87 | 65115-000043 | Washer | 1 |
| 86 | 65170AB-000041A | Cutter bar blade | 1 |
| 85 | 65502-000042-3 | Flange washer | 1 |
| 84 | 845-3Y5X13-B-H-F | bolt ST3.5X13-B-H-F | 2 |
| 83 | 65170AB-000600-001 | Front shaft assembly | 1 |
| 82 | 65246-006305 | Clip | 2 |
| 81 | 65115F-000303A | Bolt | 2 |
| 80 | 11544-2660-SLS | Belt Z660 | 1 |
| 79 | 5783-8X20-W-3 | Bolt (M8X20) | 1 |
| 78 | 95-8-W | Washer 8 | 3 |
| 77 | 96Y1-8-W | Washer 8 | 2 |
| 76 | 65481-000045 | Rear axle slip cover | 2 |
| 75 | 65144A-002000 | Gear box | 1 |
| 74 | 6172Y2-5-W-3 | Nut (M5) | 4 |
| 73 | 65144B-000052 | Bracket | 2 |
| 72 | 5783-5X16-W-3 | Bolt (M5X16) | 4 |
| 71 | 119Y2-B5X21Y3-W | Pin B5X21.3 | 2 |
| 70 | 65112-000057 | Bearing | 2 |
| 69 | 65112-001900 | Right gear | 1 |
| 68 | 65319AK-000017-011 | Rear wheel hub cap | 2 |
| 67 | 65319AK-002100 | Rear wheel | 2 |
| 66 | 65115AT-000015 | Washer | 4 |
| 65 | 65400-000048B | Wheel cover | 2 |
| 64 | 65170A-001600D2-101 | Adjustment hand bar | 1 |
| 63 | 65170ABK-006401-011 | Cover | 1 |
| 62 | 845-4Y2X16-B-H-C | bolt ST4.2X16-B-H-C | 13 |
| 61 | 65400-000092A | Washer | 2 |

| | | | |
|----|--------------------|--------------------------|----|
| 60 | 65400-000077 | Side discharge axle | 1 |
| 59 | 65400-006302A | Spring | 1 |
| 58 | 91-2X10-B | Pin | 1 |
| 57 | 65170AB-006403-001 | Cover | 1 |
| 56 | 65170AB-006402-001 | Cover | 1 |
| 55 | 65400-000084A | Side discharge fixer | 1 |
| 54 | 5783-6X12-W-3 | Bolt (M6X12) | 2 |
| 53 | 65112-000053 | Fix axle block | 2 |
| 52 | 6183Y1-5-W-3 | Nut (M5) | 2 |
| 51 | 65170AB-000069-W | Plate | 1 |
| 50 | 819Y1-5X14-W-3 | Bolt (M5X14) | 2 |
| 49 | 65122-800000A | Engine | 1 |
| 48 | 65704-000029 | Bolt | 4 |
| 47 | 65170-000028A-001 | Right bracket | 1 |
| 46 | 65400GK-009918 | Flap rod plate | 1 |
| 45 | 65319AK-000024 | Flap rod | 1 |
| 44 | 65400GK-000025A | Flap spring | 1 |
| 43 | 65100-000029 | Bolt | 2 |
| 42 | 65400GK-000034 | Rear opening flap | 1 |
| 41 | 6183Y1-8-W-3 | Nut (M8) | 14 |
| 40 | 65400-006201 | Inside adjustment cover | 2 |
| 39 | 65400-000088 | Bolt | 2 |
| 38 | 65400-000089 | Washer | 2 |
| 37 | 65400-000075-111 | Handle bar | 2 |
| 36 | 879Y1-5X20-B | Pin 5X20 | 2 |
| 35 | 65400-006202 | Outside adjustment cover | 2 |
| 34 | 65750-000036-009 | Upper handle bar | 1 |
| 33 | 65400-000037-E | Hook | 1 |
| 32 | 889Y1-6-BZn-3 | Nut (M6) | 4 |
| 31 | 65170ABK-000900N | Throttle lever | 1 |
| 30 | 845-4Y2X13-B-H-C | bolt ST4.2X13-B-H-C | 2 |
| 29 | 65750-002704-W | Cable fixed | 1 |
| 28 | 65710AP-002701 | Upper handlebar cover | 1 |
| 27 | 65710AP-002708 | Cup | 1 |
| 26 | 65710AP-002707 | Cover of the foot box | 1 |
| 25 | 5287-6-W | Washer | 1 |
| 24 | 65100-000014 | Washer | 1 |
| 23 | 65750-002705-W | hand bar | 1 |
| 22 | 6560-4X6-W-3 | bolt M4X6-W-3 | 1 |
| 21 | 65750-002706-111 | Handle cover | 1 |
| 20 | 65750-002702 | Handle fixed | 1 |
| 19 | 5783-6X16-W-3 | Bolt (M6X16) | 5 |
| 18 | 96Y1-4-W | Washer 4 | 9 |
| 17 | 845-4Y2X19-B-H-C | bolt ST4.2X19-B-H-C | 1 |
| 16 | 70Y1-6X60-W-3 | Bolt M6X60-W-3 | 2 |
| 15 | 65750-002803-001 | Levers fixed cap | 2 |
| 14 | 65750-002703 | Decorative cover fixed | 4 |
| 13 | 65145AK-000059-001 | Drive bar | 1 |
| 12 | 65750-000035-111 | Brake bar | 1 |
| 11 | 65750-002806-001 | Levers fixed | 2 |
| 10 | 65750-002801-001 | Levers fixed | 2 |
| 9 | 6172Y2-6-W-3 | Nut (M6) | 5 |
| 8 | 65750-002804-001 | Levers fixed cap | 2 |
| 7 | 845-2Y9X9Y5-B-H-C | bolt ST 2.9X9.5-B-H-F | 4 |
| 6 | 65407-000066-001 | Upper handle bar cover | 1 |
| 5 | 65750-002802-001 | Levers limit fixed | 2 |
| 4 | 6183Y1-6-W-3 | Nut (M6) | 5 |
| 3 | 820-6X40-H-W-3 | Bolt M6X40-H-W-3 | 1 |
| 2 | 65170ABK-001300D | Drive & Brake cable | 1 |
| 1 | 845-4Y8X19-B-H-C | bolt ST4.8X19-B-H-C | 4 |